

Single column wall/floor lift XL

- ▶ Installation on the floor and / or the wall. Supports on the floor.
- ▶ Suitable for mounting at weaker walls
- ▶ Storage space behind the screen to arrange equipment and cables
- ▶ Installation of mini PC on the frame possible
- ▶ Supplied with 1 wall bracket
- ▶ Also free-standing possible in combination with EBT-VP/EBT-VPXL
- ▶ Standard to 800mm VESA width



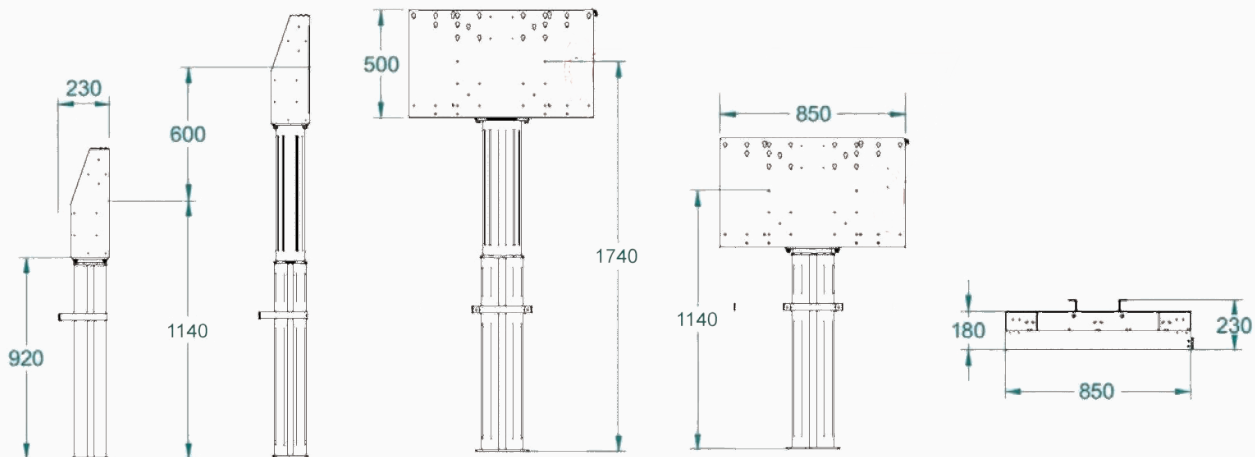
VESA (W x H)

800 x 400	400 x 200
600 x 400	300 x 400
440 x 400	300 x 300
400 x 400	200 x 400
400 x 300	200 x 200



Max. 120 kg Alu / grey 114 - 174 cm 60 cm 230 volt

Technical drawing



Accessories



Lockable cover
EBT-KK

Laptop Shelf
EBTLAP

Wallmount set
EBTBEU

Floor stand
EBT-VP

Floorstand XL
EBT-VPXL