

## Electrical mobile version

- ▶ High quality trolley
- ▶ Storage space behind the screen to arrange equipment and cables. The storage space is equipped with a cover with lock.
- ▶ Installation of mini-PC (left or right) on the frame possible
- ▶ Standard to 800mm VESA width
- ▶ Equipped with 4 braked robust swivel castors with a diameter of 100 mm
- ▶ Also suitable for primary schools in lowest position



Max. 100 kg



Black



98 - 164 cm



66 cm



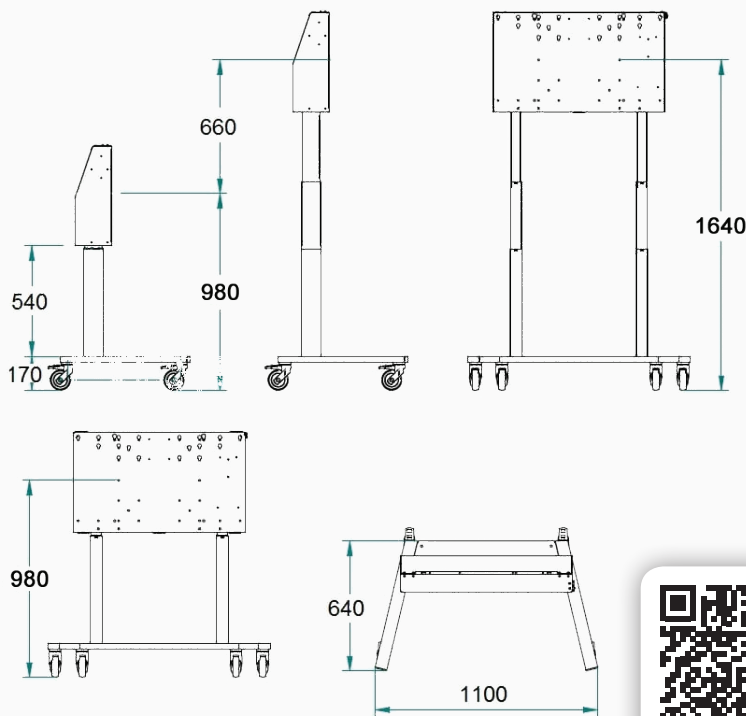
Safety Stop



### VESA ( W x H )

- 800 x 400
- 700 x 400
- 600 x 400
- 600 x 230
- 600 x 200
- 500 x 400
- 456 x 400
- 400 x 400
- 400 x 300
- 400 x 200
- 300 x 400
- 300 x 300
- 200 x 400
- 200 x 200

### Technical drawing



### Accessories

<p><b>EFFLAP002Z</b></p>  <p>Laptop shelf mounting front 400 x 300 mm</p>	<p><b>EFFLAP5250Z</b></p>  <p>Laptop shelf mounting back 400 x 400 mm</p>	<p><b>CMM01Z</b></p>  <p>Cable Management Module (3 holes right side)</p>				
<p><b>CMM03Z</b></p>  <p>Cable Management Module (4 holes front side)</p>	<p><b>ELEC041</b></p>  <p>Power strip 6 sockets mountable</p>	<p><b>ADAP1Z</b></p>  <p>VESA Adapter set black</p> <table border="1" style="margin-top: 5px;"> <tr> <td>800 x 600</td> <td>600 x 600</td> </tr> <tr> <td>800 x 500</td> <td>600 x 500</td> </tr> </table>	800 x 600	600 x 600	800 x 500	600 x 500
800 x 600	600 x 600					
800 x 500	600 x 500					

<p><b>EFFSOUNDZ01</b></p>  <p>Mounting plate for soundbar</p>	<p><b>EFFHAND</b></p>  <p>Handle set</p>	<p><b>HOOK81</b></p>  <p>Cable hook black</p>	<p><b>EFHASPEL</b></p>  <p>Cable reel</p>
---	---	--	--

