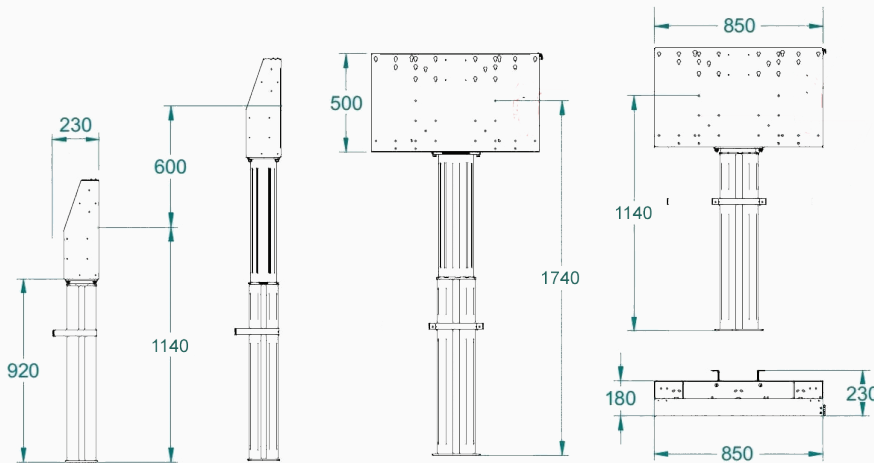


Single column wall/floor lift XL

- ▶ Installation on the floor and / or the wall. Supports on the floor.
- ▶ Suitable for mounting at weaker walls
- ▶ Storage space behind the screen to arrange equipment and cables
- ▶ Installation of mini PC on the frame possible
- ▶ Supplied with 1 wall bracket
- ▶ Also free-standing possible in combination with EBT-VP/EBT-VPXL
- ▶ Standard to 800mm VESA width

Max. 120 kg	Alu / grey	114 - 174 cm	60 cm	230 volt

Technical drawing



VESA (B x H)

800 x 400	400 x 400
700 x 400	400 x 300
600 x 400	400 x 200
600 x 230	300 x 400
600 x 200	300 x 300
500 x 400	200 x 400
456 x 400	200 x 200



Accessories

Lockable cover	Laptop shelf 400 x 300 mm
Floor stand 900 x 550 mm	Floor stand XL 1180 x 780 mm

Small floor stand and wall mounting	Power strip 6 sockets mountable	VESA Adapter set grey	Cable Management Module (3 holes right side)	Cable Management Module (4 holes front side)	Cable hook alu / grey	Additional wall mount set